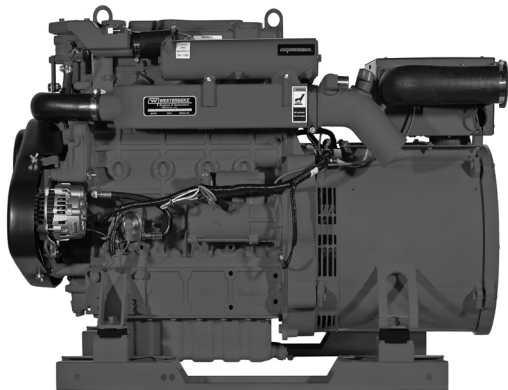
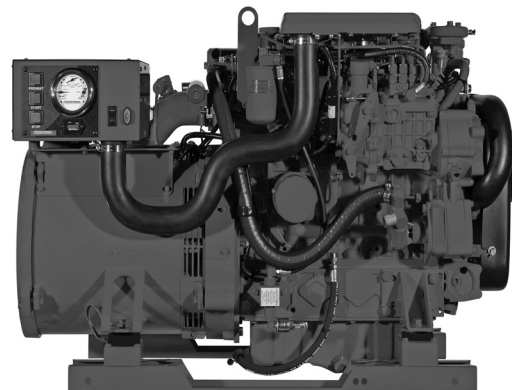




## A truly “quiet breed” of reliable power



29.0/23.0 EGED Diesel Generator



29.0/23.0 EGED Diesel Generator

### Powerful & Reliable

Powered by a lightweight, rugged “industrial engine,” the 29.0 EGED continues to support the strong record of reliability Westerbeke has built supplying product to the United States Navy and Coast Guard as well as commercial vessels and pleasure craft world-wide.

### Smooth, Quiet Operation

The 29.0 EGED’s robust, 3.3 liter engine provides 4-cylinder smoothness and a tuned air intake silencer for quiet, slow speed operation.

### Longer Life and Easier Maintenance

The engine operates at a low 1800-rpm and is fresh water cooled, via heat exchanger, for longevity. The generator windings are NEMA class “H” insulated and double vacuum epoxy impregnated to increase protection against the harsh marine environment. Easy access servicing points and individually removable top and side panels of the optional sound enclosure contribute to easier maintenance.

### Five Year Limited Warranty

This generator set is backed by Westerbeke’s 5-year limited warranty. The presence of Westerbeke in over 65 countries around the world provides customers with easy access to parts, service and technical support word-wide. Established in 1937, Westerbeke is committed to providing its customers with quality products and unequalled after sales support.

### Standard Features

- Instrument panel with safety stop switch
- Remote start/stop plug-in connection
- Electronic voltage regulation
- Safety shut-downs: low oil pressure, high exhaust and high coolant temperature
- Field breaker
- 50 amp battery charging alternator
- Power take-off interface
- “EZ Bleed” fuel system
- Fresh water cooling and coolant recovery tank
- 45 degree water injected exhaust elbow
- Gear driven raw water pump
- Tuned air intake silencer
- Anti-vibration mounts - fail safe rubber type
- Lube oil drain hose and drip tray
- Oil fill - top and side
- Belt guard
- Operators’ manual and parts list
- 5 year limited warranty
- Meets CARB & U.S. EPA regulations

### Display Panel



### Generator Design

**DESIGN:** Brushless, four pole, revolving, power take-off.

**VOLTAGE REGULATION:** Standard +/- 2% no load to full load.

**FREQUENCY REGULATION:** 3 Hz (5%) no load to full load.

**INSULATION:** Class "H", as defined by NEMA MG1-1.65.

**TEMPERATURE RISE:** Within NEMA MG1-22.40 definition when operating at full load.

**COOLING:** Cast centrifugal blower, direct connected.

**ELECTROMAGNETIC INTERFERENCE LEVEL:** Exceeds requirements for most marine radio-telephones and standard TVs.

Model	Electrical Characteristics					Ratings		Engine	
	Volts	Amps	Hertz	Phase	Wire	Power Factor	KW	RPM	Start
29.0 EGED-6112*	120/240	241/121	60	1	12	1.0	29.0	1800	Remote
23.0 EGED-5112*	230	100	50	1	12	1.0	23.0	1500	Remote

\* Adjustable to 50 or 60 Hertz. Three phase units available in these ratings.

### Specifications

Number of cylinders	4 Cylinder vertical in-line	
Type	4 cycle	
Displacement	202.5 cu. in. (3.30 liter)	
Bore and stroke	3.86" x 4.33" (98.0 mm x 110.0)	
Compression ratio	23:1	
Rated rpm	1800@60Hz /1500@50Hz	
HP @ 1800/1500 rpm	42/34 continuous 47/37 standby	
Maximum angle of operation	Not to exceed 20° in all directions	
Exhaust elbow connection	3" OD (76.2mm)	
Sea water connection	1" OD (25.4mm)	
Dry weight	1,152 lbs. (522.5 kilos)	
Combustion system	Indirect injection	
Aspiration	Naturally aspirated	
Lubrication system	Forced lubrication by gear pump	
Cooling system	16 quarts (15.14 liters)	
Starting aid	12 volt sheathed type glow plug	
Fuel consumption (approx.)	1800 rpm	1500 rpm
100% load GPH (LPH)	3.10 (11.7)	2.40 (9.1)
75% load GPH (LPH)	2.17 (8.2)	1.75 (6.6)
50% load GPH (LPH)	1.58 (6.0)	1.29 (4.9)
25% load GPH (LPH)	1.08 (4.1)	0.91 (3.5)
Fuel injection pump	Bosch type mini pump	
Governor	Centrifugal	
Injectors	Bosch type	
Fuel Filter	Full flow, replaceable element	
Fuel transfer pump	12 volt electric type	
Fuel supply and return piping	1/4" ID (6.35 mm) minimum 3/8" ID (9.53 mm) maximum	

Lube oil filter	Full flow, spin-on element
Lubricant capacity (incl. filter)	14 quarts (13.3 liters)
Starting motor	12 volt, solenoid, actuated shift
Alternator	50 amps
Cranking amps	400-600 amps (includes heater)
Electrical system	12 volts DC, negative ground

### Construction – Engine Components

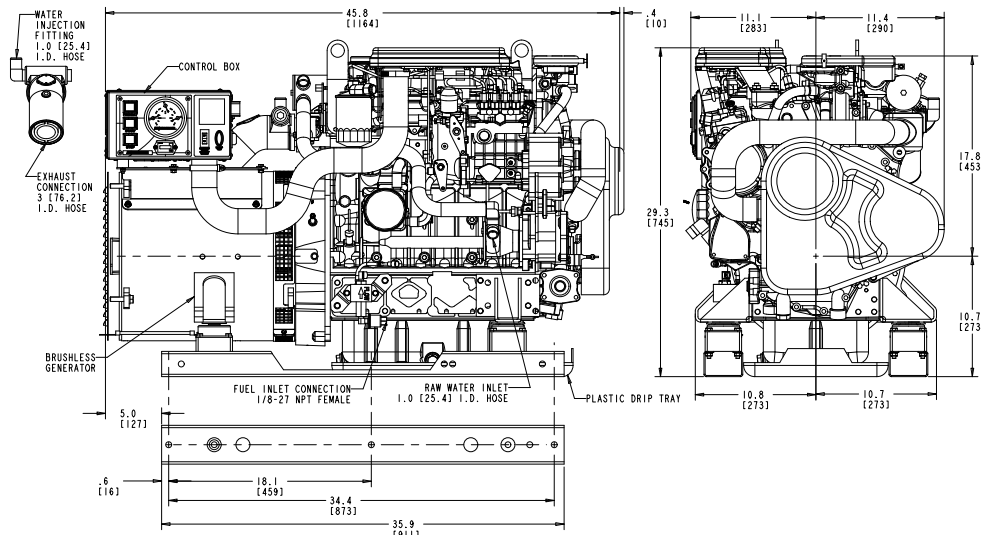
Cylinder head	Cast Iron
Cylinder block	Cast Iron
Crankshaft	Forged crankshaft, five main bearings
Valves	Overhead valves
Fuel System	"EZ-Bleed"
Intake system	Tuned intake system for maximum sound reduction
Cooling system	Fresh water-cooled with heat exchanger
Exhaust manifold	Cast aluminum, fresh water-cooled

### Optional Equipment

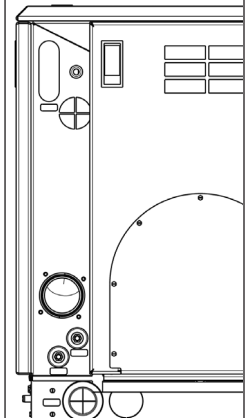
Dual station instrument panel with senders
Remote start/stop panel
Remote lube oil filter kit
Sound Guard SST
Hydro-hush muffler and fittings
Fuel/water separator
Anti-siphon valve with 1" inch stainless loop
Ship-shore switch
"A" on board spare parts kit; "B" extended cruising parts kit
Hose Kit
Generator set available painted white upon request (standard red)

### Dimensions

Inches  
(millimeters)



Optional  
Sound Guard **SST**  
PN 53070



**SST**  
Length: 50.8" (1291mm)  
Width: 27.2" (691mm)  
Height: 30.8" (782mm)  
Weight: 150 lbs. (68kg)